

MODEL: 2088-443-144

### SPECIFICATIONS:

**MODEL NUMBER:** 2088-443-144

**PUMP DESIGN:** Positive Displacement 3 Chamber Diaphragm Pump

**CHECK VALVE:** (1-Way Operation) Prevents Reverse Flow

**CAM:** 3.0 Degree

**MOTOR:** Permanent Magnet, P/N 11-111-00

**VOLTAGE:** 12 VDC Nominal

**PRESSURE SWITCH:** Factory Set @ 45 PSI Shut-Off, Turn On 25.5 PSI±  
Adjustable From 30 to 50 PSI

**LIQUID TEMPERATURE:** 130 Degrees Fahrenheit (54 Degrees Centigrade) Max.

**PRIME:** Self-Priming Up To 9 Ft. Vertical,  
Max. Inlet Pressure 30 PSI (2.1 Bar)

**PORTS:** 1/2" - 14 Male Parallel Thread

**MATERIAL OF CONSTRUCTION:**

PLASTICS- Polypropylene

VALVES- Santoprene

DIAPHRAGM- Santoprene

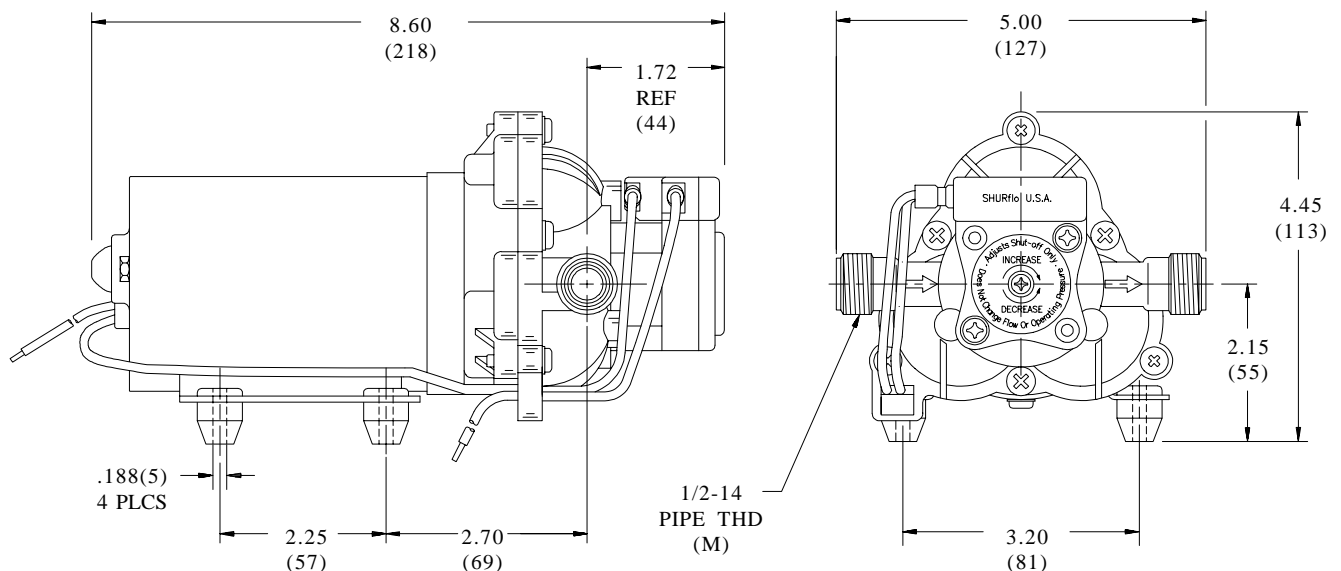
FASTENERS- Zinc Plated Steel

**NET WEIGHT:** 4.8 Lbs (2.18 Kg)

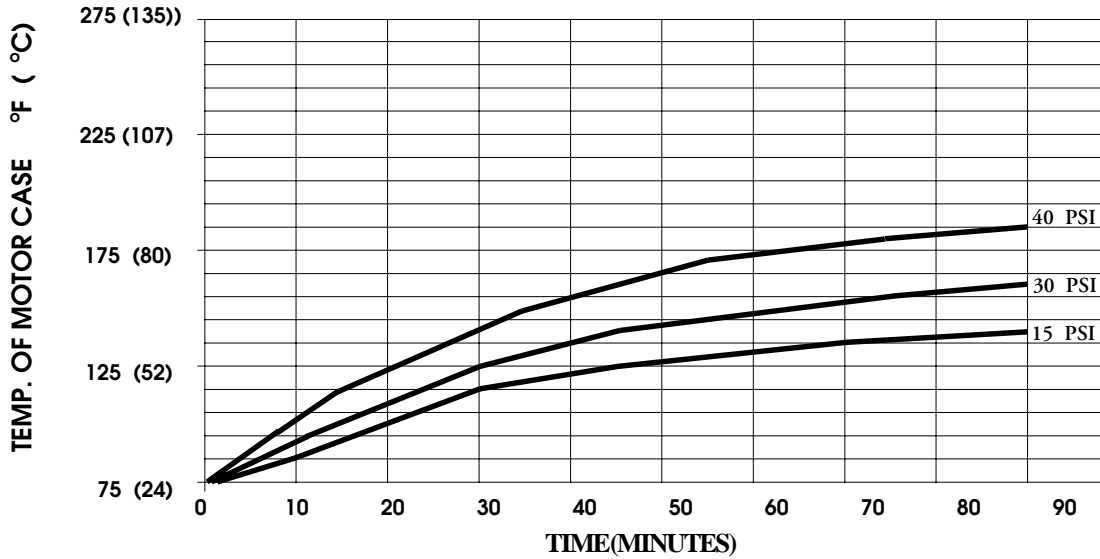
**DUTY CYCLE:** Intermittent (See Temperature Rise Chart)

**TYPICAL APPLICATIONS:** Water Delivery

### DIMENSIONS:

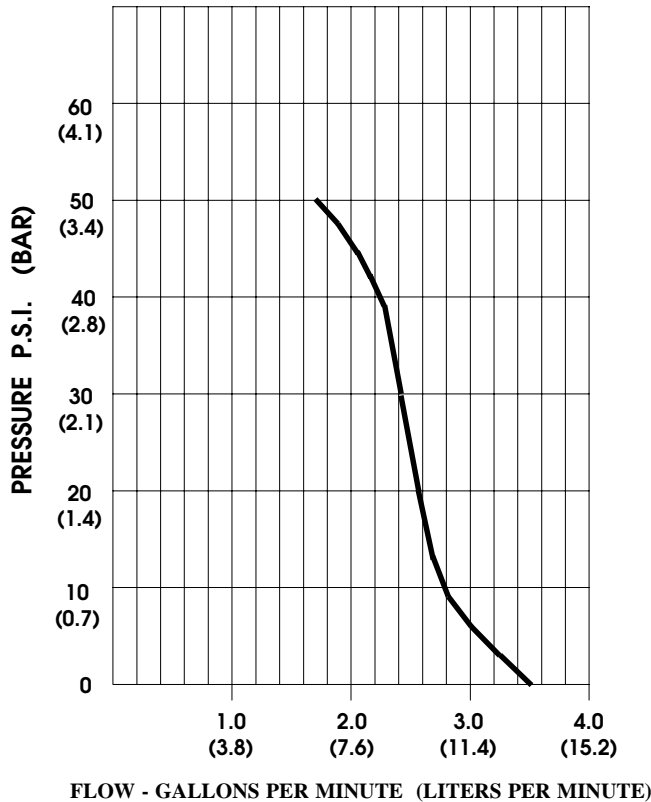


### TEMPERATURE RISE



THIS GRAPH IS FOR USEAS A DESIGN GUIDE. IT IS BASED ON RUNNING CONTINUOUSLY WITH AN AMBIENT TEMPERATURE OF 75° F IN STILL AIR.

### TYPICAL PERFORMANCE



| PRESSURE (PSI) | FLOW (GPM/LIT) | RPM MIN/MAX | CURRENT (AMPS) | VOLTAGE (VOLTS) |
|----------------|----------------|-------------|----------------|-----------------|
| OPEN           | 3.50/13.2      | 2160/2210   | 5.3            | 12 VDC          |
| 10             | 2.83/10.7      | 2130/2180   | 5.8            | "               |
| 20             | 2.56/9.7       | 2050/2110   | 7.0            | "               |
| 30             | 2.31/8.7       | 2015/2030   | 8.0            | "               |
| 40             | 2.02/7.6       | 1960/1975   | 9.1            | "               |
| 50             | 1.75/6.6       | 1915/1930   | 9.9            | "               |

*-SPECIFICATIONS SUBJECT TO CHANGE WITHOUT NOTICE.  
-ALL DATA BASED ON TESTING WITH WATER.*